

V-Flow GRP Dry Valley

High & Low Profile

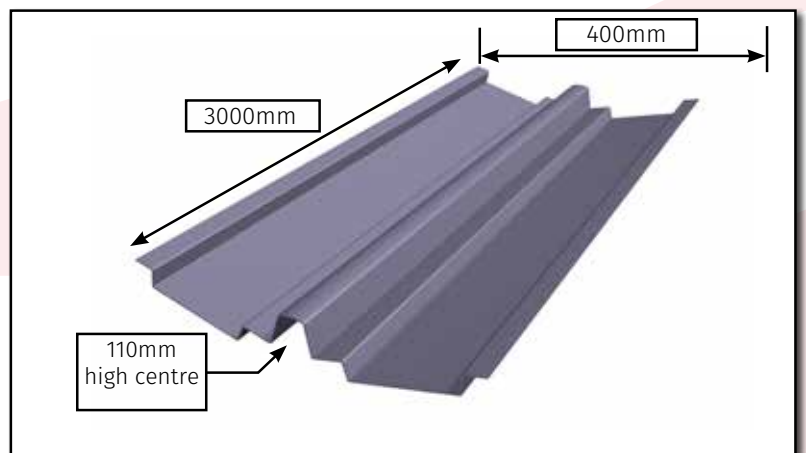
A **GRP Dry Valley** is a mortarless system which provides a maintenance free means of discharging water from the roof, which is suitable for use with slates, interlocking and profiled roof tiles.

The Dry Valley is supplied in 3mt lengths, in **Low**, **Mid** and **High** profiles, depending on the roof covering being used. They can be fixed as an **Under Batten** profile (Fig. 1), or as an **Over Batten** profile (Fig. 2). They are finished in a standard lead grey colour.

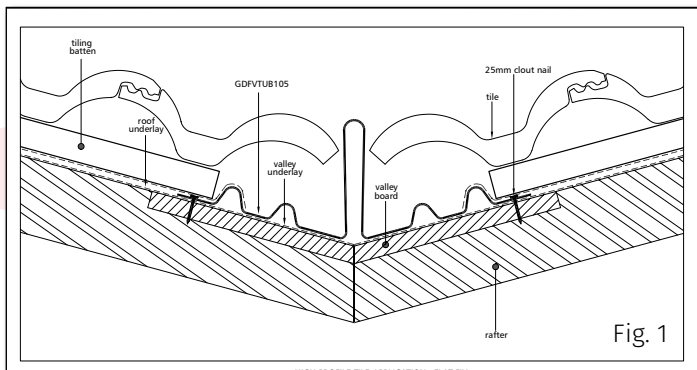
The Dry Valley creates a close-cut appearance on a new build and refurbished properties where fixing times can be cut by up to 50% over traditional methods.

Eaves Closures and Top Closures

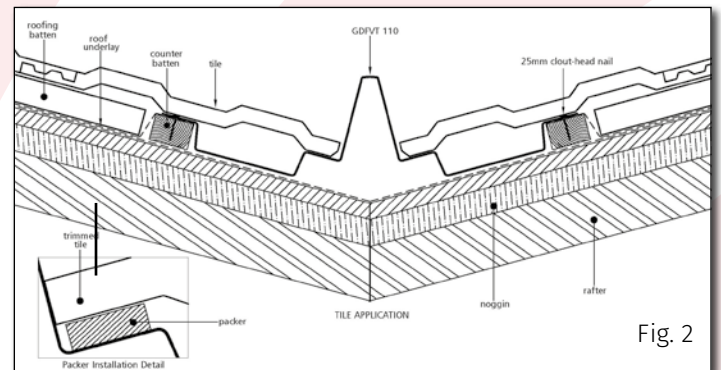
Eaves Closures and Top Closures are used for overlaying on the ends of GRP valleys, which give a clean finish, and alternative to lead or mortar, which are manufactured from a flexible and durable polyurethane.



Under batten Dry Valley



Over batten Dry Valley



PROFILE	UNDER BATTEN FIXING			OVER BATTEN FIXING	
SIZE	3000mm long x 400mm wide			3000mm long x 400mm wide	
MATERIAL	UV Glass fibre/Polyester laminate.			UV Glass fibre/Polyester laminate	
PACK SIZE	10 per pack			10 per pack	
PACK WEIGHT	55mm (21KG)	80mm (26kg)	105mm (30kg)	70mm (26kg)	110mm (32kg)
PRODUCT CODE	55mm: EP-TUB55	80mm: EP-TUB80	105mm: EP-TUB105	70mm: EP-GDFV70	110mm: EP-GDFV110
BENEFITS	Improved Drainage. No Mortar. Improved Appearance. Time saving				